



HMI Touch Screen
Controller



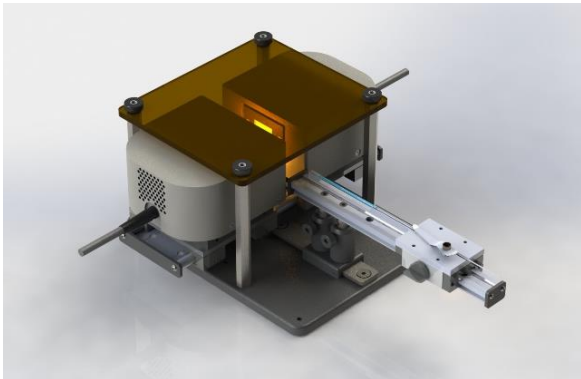
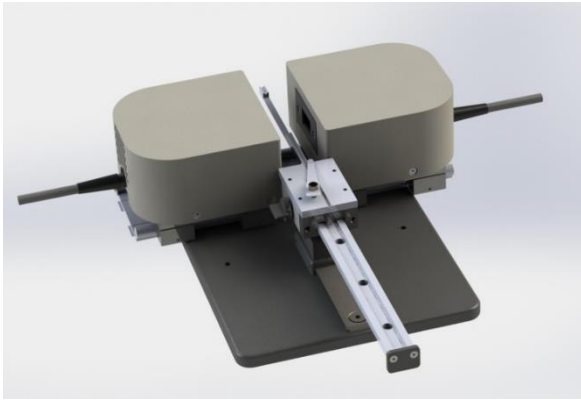
450 Watt Emitter

HMI Infrared Controller

- IRFLOW infrared system is designed to meet the stringent demands of the medical device and optoelectronics industries, where system validation and calibration are critical for repeatable production results.
- Infrared Controller with Single or Dual Emitters
- System output calibration - ideal for multiple system production environments
- Cycle-to-cycle verification ensures equipment performance every time
- Touchscreen HMI Controller for Intuitive Operator Interaction (320 x 240 LCD TFT)
- Watt, Amp and Voltage Display for Precision, Repeatable Results
- Four Programmable Multi-stage Thermal Profile Recipes
 - Idle /T1/T2 variable power/time settings
 - Instantaneous and Peak in Timed Mode
- Lamp hour meter function
- Advanced multiple user password access with admin rights
- Data logging output with external USB port
- English/Spanish language
- Remote run / interlock capability
- Power: IRF-CON2: 120VAC, 15A, 1 or 2 Outputs
- Optional: footswitch, mini light tower, programmable tooling control and manual /automated fixtures

Small Area Infrared Emitters

- Infrared Emitter Optical Configurations
 - IRF-EM1: 450 Watt Emitter Housing
- Quick twist lock connections
- Short wave, tungsten-halogen, quartz lamp
- Instantaneous heat up and cool down
- Excellent heat penetration depth into substrate
- Performance Range: Idle to 400°C
- Optimal Working Distance: 20mm to part
- Working Area:
 - 25 x 32mm (H x W) standard
 - Custom specs available
- Horizontal or vertical orientation
- Bulb Service Life: 1,000 hours*



Dual Infrared Emitter Fixture – Horizontal Orientation

Dual and Single Infrared Emitter Stations

- Manual and automated IR emitter stations
- Precision adjustable emitter positioning
- Custom linear slide part platform, with optional part channel, clip and catheter extension
- Horizontal or vertical orientation
- Custom configurations available

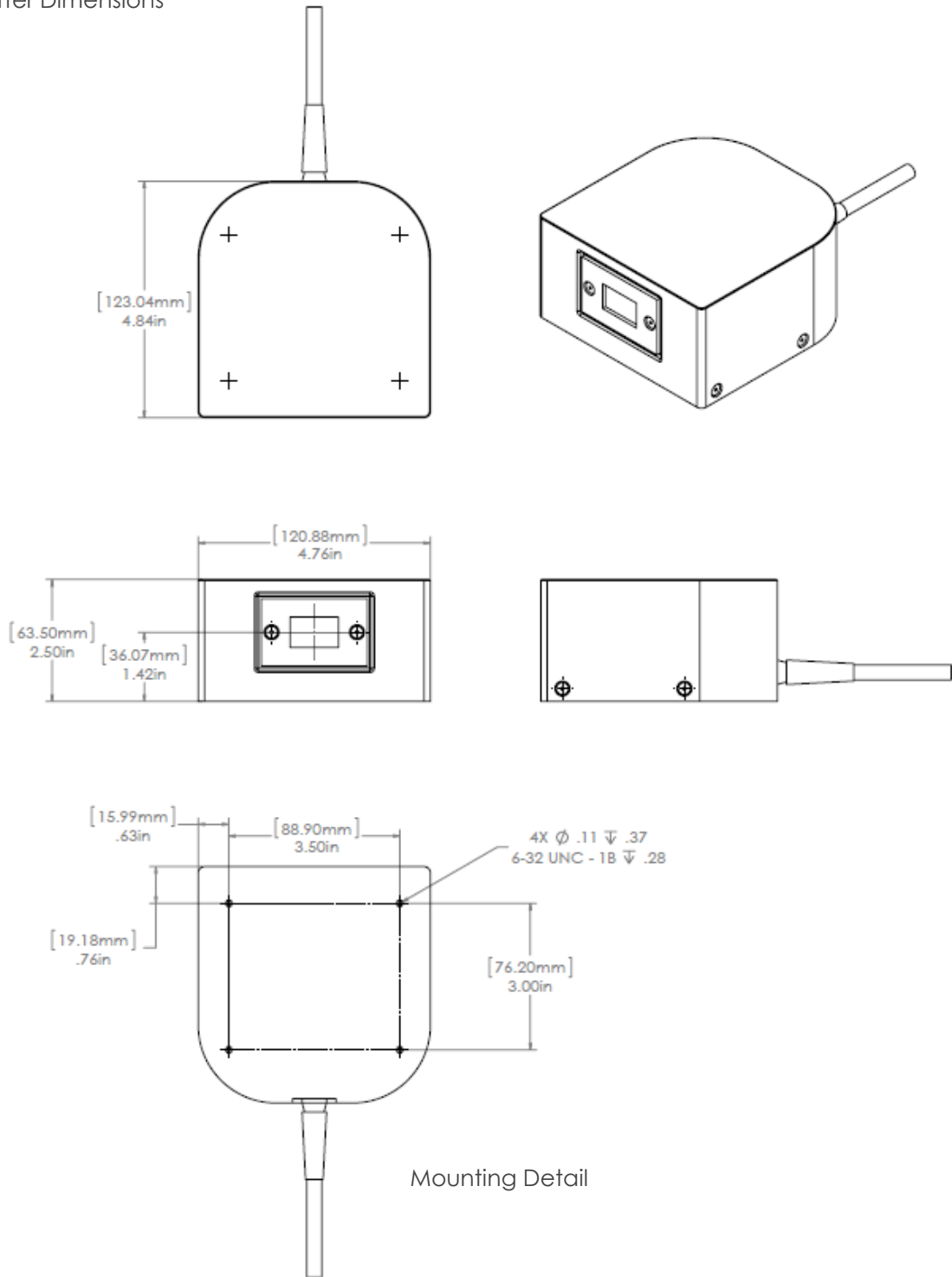


Single Infrared Emitter Fixture
Vertical Orientation

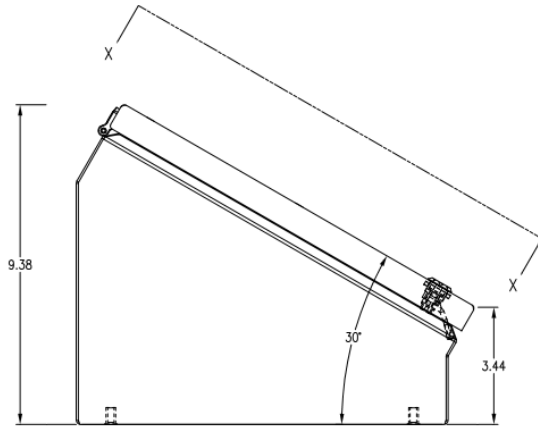
Automated Dual Infrared Emitter Stations



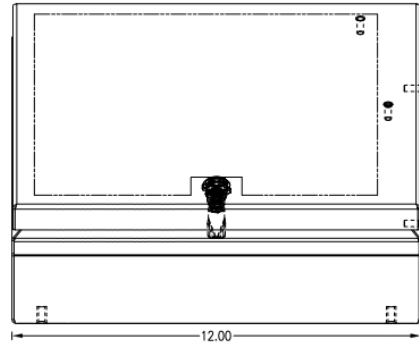
Emitter Dimensions



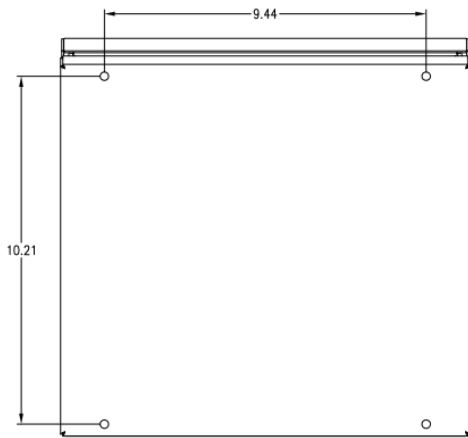
Controller Dimensions



LEFT SIDE VIEW

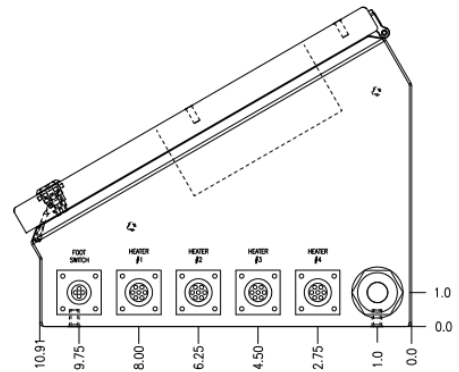


FRONT VIEW



EXTERNAL BOTTOM VIEW

BOTTOM VIEW



RIGHT SIDE VIEW