

48" x 12" UV Curing Conveyor shown with Dual AC8 LED Heads, Acrylic UV Safety Light Shields and Guide Rails

Benchtop LED UV Curing Conveyor

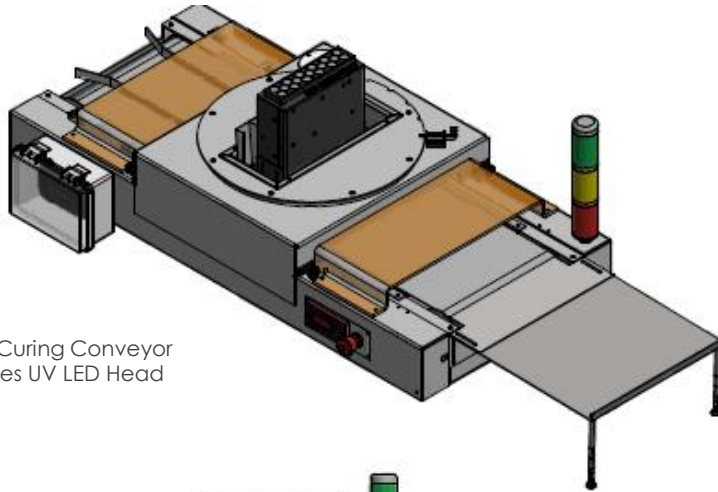
Designed for use with the OmniCure® AC series of high power UV LED area curing systems, the Full Spectrum UV benchtop conveyors are suitable for production, laboratory and R&D applications and are ideal for curing LED curable adhesives, LED curable coatings, and LED curable inks.

Full Spectrum UV Conveyor are available in two lengths, 48" and 24", and can handle a variety of substrates up to 12" wide on open mesh Teflon® coated fiberglass belt with an effective curing area of up to 12" wide. Available with a removable LED head mount, the conveyors can accommodate single (or dual) head configurations and a variety of LED head widths. An optional rotating head mount can adjust LED head orientation to maximize curing dosage.

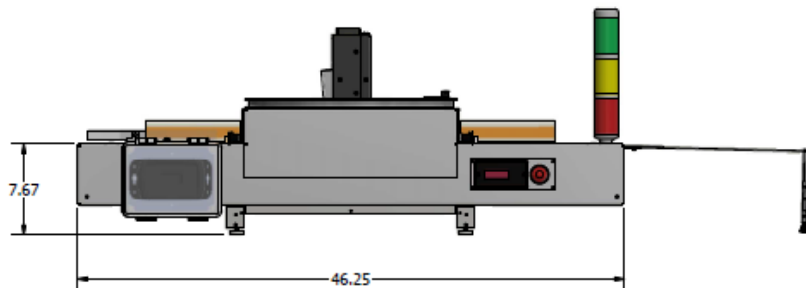
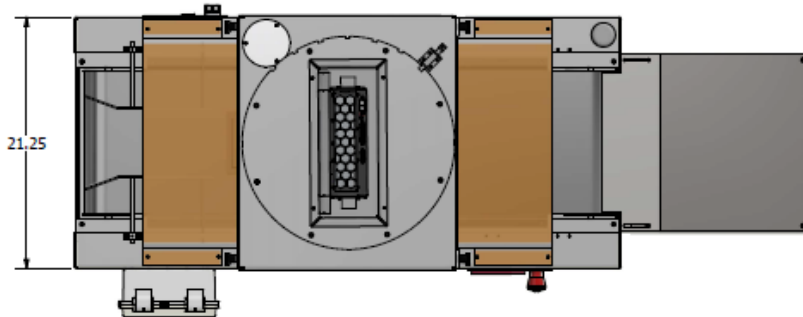
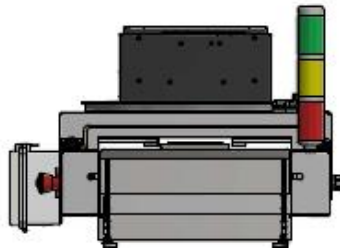
The conveyor upper housing has adjustable height of between 1" and 2.25" from the belt, to accommodate various part heights and flexible working distances. Conveyor belt speed can be set from 2ft/min up to 48 ft/min with a digital speed controller. For safety the conveyor features an E-Stop, a belt stop - UV OFF interlock, and optional adjustable part chute, UV safety acrylic light shields, indicator tower, LED controller integration and part present sensors.

UV LED Mini Conveyor	
Overall Dimensions (L x W x H)	48" Length: 46.25" x 21.25" x 10.67" 24" Length: 24" x 15.25" x 8.45"
Belt Width	12"
Belt Speed	2 ft./min to 48 ft./min
Height Adjustment	1" to 2 ¼" adjustable
Head Angle Adjustment	Stationary or Rotating (0 - 90 degrees)
Electrical	100-240 VAC, 50/60 Hz, Single Phase
Weight	76 lbs

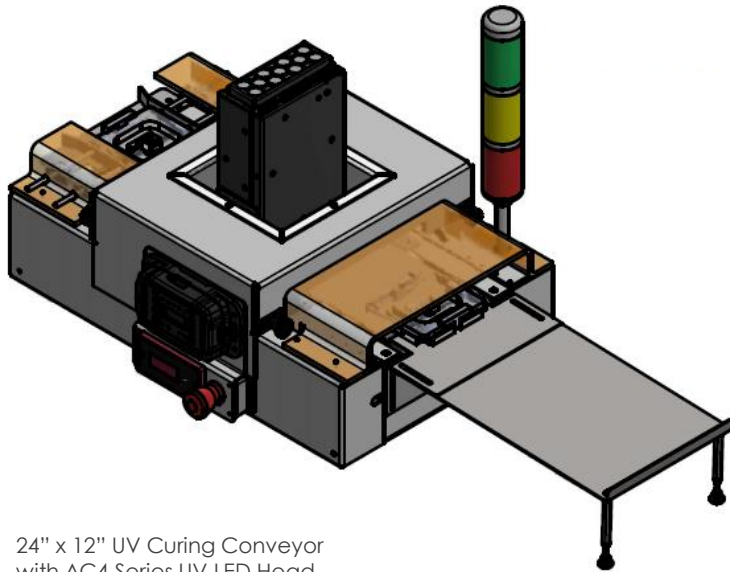
UV LED Curing Conveyors - 48" and 24" Length



48" x 12" UV Curing Conveyor
with AC7 Series UV LED Head



UV LED Curing Conveyors - 48" and 24" Length



24" x 12" UV Curing Conveyor
with AC4 Series UV LED Head

